

ARMATE® Faucets

# ARMATE® SERVIZIO Faucets



Premium faucets  
Made in Germany

**Naber**<sup>®</sup>  
...inspires!



Faucets

---

## ARMATE® SERVIZIO

Portare, Lastra, Venere –  
Selected faucets for the highest of requirements.  
Naturally in Naber quality!

---

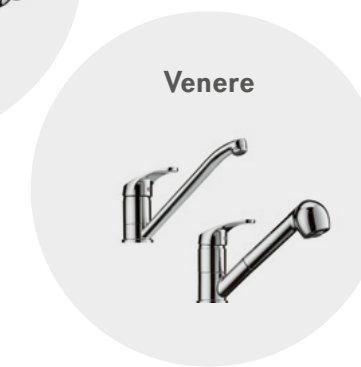
## ARMATE® SERVIZIO

Premium  
high class faucets



A great success: the faucet series **ARMATE® SERVIZIO** from Naber effortlessly reveals its class. The premium faucets impress with their exquisite quality – perfect in design, functionality and daily use. And **Made in Germany!**

From their luxurious appearance to their high-quality insides, **ARMATE® SERVIZIO** faucets meet the highest demands.



You can find more information about our premium faucets on our website  
[www.naber.com/servizio](http://www.naber.com/servizio)



Portare 1

A confident focal point with forward-thinking technology in every kitchen.




360°

## Portare

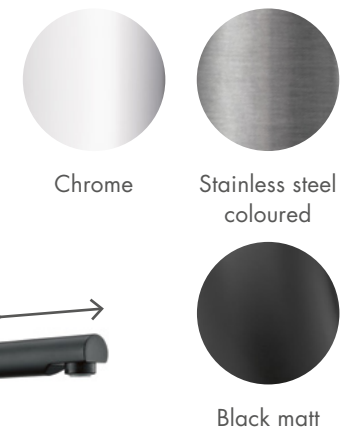
The faucet with strong energy-saving potential.

At first glance, the **Portare** range of faucets shows consistent high quality standards in production. This advantage is perfectly complemented by the innovative technology of the faucets. All **Portare** faucets have high-quality anti-limescale aerators that prevent limescale deposits permanently.

In addition, the **Portare** faucets are equipped with the energy-efficient **Cold-Start technology** and thus support the contemporary use of energy: up to the middle position of the mixing lever, only the cold water pipe is opened; only beyond this point is hot water added.

-  Energy-saving Cold-Start technology
-  Smooth-action cartridge with scald protection
-  Side operating lever

Available in 3 surfaces



### Model overview



**Portare 1**  
Single lever mixer. With swivelling outlet, side lever, ceramic cartridge with scald protection.



**Portare 3**  
Single lever mixer. With swivelling outlet, side lever, ceramic cartridge with scald protection.



**Portare 2**  
Single lever mixer. With swivelling/pull-out outlet, side lever, ceramic cartridge with scald protection.



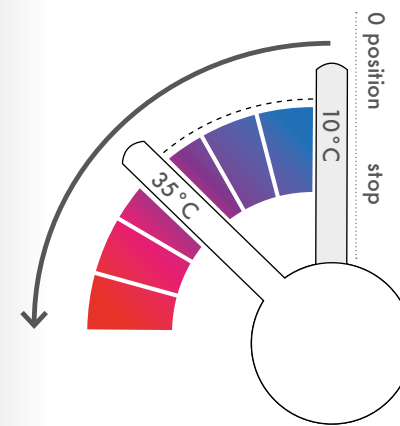


**Portare 3**

With variable, timeless simple, permanently appealing shapes and materials.

360°

**Cold-Start technology.**



With standard single-lever mixers, the lever is always closed in the middle for visual reasons or as a matter of routine. If it is used in this position, both the cold water and the hot water supply open.

To start with, however, the water remains cold because it takes a while for hot water to reach the outlet. Until then, however, this is still consumed. Not so with **Portare**: hot water only flows when the mixing lever is moved beyond the mid-point.



**Low-wear seals made of silicone**



**10 years manufacturer's warranty**

(apart from wearing parts)



**Factory customer service in Germany and Austria**

**Energy-saving, economical, well-conceived.**

When water is drawn briefly with the lever in the middle position, only cold water is used, but no hot water, which would have to be heated up beforehand with intensive energy use.



**Flawless surfaces**

Every faucet undergoes ultra-modern, automated quality checks, where nothing is left to chance. Guaranteed!

Lastra 2

Good-looking, reliable, flexible – a daily companion with lasting appeal.



Lastra

Sober and restrained – and yet with irresistible charm!

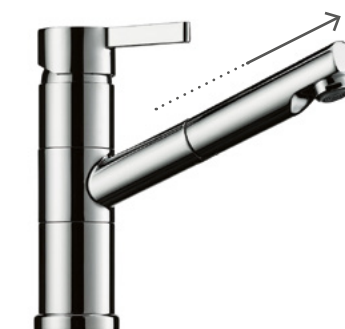
Lastra faucets impress with the brilliance of their surfaces – the result of careful high-gloss chrome plating or stainless steel finishing. They are beautiful because the clear contours deliberately accentuate all the facets. Thus creating the subliminal impression: everything is just perfect here.

And that is true not least for the inner workings of the faucets, which are designed for long-lasting reliability. Perfectly engineered and available in the two versions with/without pull-out outlet, Lastra faucets are ready for all requirements.

Model overview



**Lastra 1**  
Single lever mixer. With swivelling outlet, ceramic cartridge with scald protection.



**Lastra 2**  
Single lever mixer. With swivelling/pull-out outlet, ceramic cartridge with scald protection.

 With/without pull-out outlet

 10 years manufacturer's warranty  
(apart from wearing parts)

 Factory customer service in Germany and Austria

Available in 2 surfaces



Chrome

Stainless steel coloured



Venere 2

Precise interplay: unconventional shape, smooth function, silky touch, outstanding ease of use.



150°

# Venere

Playful design, high-quality inner workings: a winning performance.

Unmistakable faucet due to the smooth interplay of unconventional shapes. Curves and straight lines flow into one another, the spherical outlet automatically attracts attention.

The result is enticing to the touch and, at the same time, captivates with the impression of pleasant precision. The sophisticated technical attributes of the **Venere faucets** include the anti-limescale aerator. The swivelling outlet of the **Venere 1** moves through a wide 360° radius, and that of the **Venere 2** up to 150°. **Venere 2** also has a 150 cm long indestructible textile hose for the pull-out rinsing head, which has two spray types. The spray jet provides for effective rinsing of vegetables, salad and fruit or pre-cleaning of dishes. The rinsing jet easily reaches every corner of the sink.

## Model overview



**Venere 1**  
Single lever mixer. With swivelling outlet, ceramic cartridge with scald protection.



**Venere 2**  
Single lever mixer. With swivelling/pull-out hose with shower head (can be switched to stream or shower), ceramic cartridge with scald protection.



10 years manufacturer's warranty  
(apart from wearing parts)

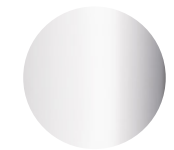


Factory customer service in Germany and Austria



Ceramic cartridge with scald protection

Available in



Chrome

Can be switched to stream or shower

### Convincing functionality

Flow, tightness and material quality are just right. In every faucet!





## 10 years warranty

Naber gives a 10-year warranty on every single product (except for wearing parts), provided the installation is carried out by a specialist. In addition, a 15-year availability guarantee is provided on all spare parts.

For the conditions for all **SERVIZIO** faucets, see [www.naber.com/guarantee](http://www.naber.com/guarantee).

What's more, Naber offers comprehensive customer service in Germany and Austria.

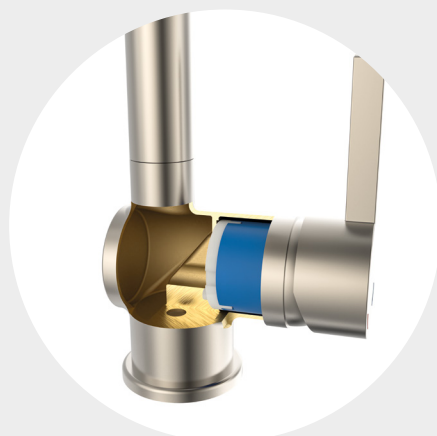
All fittings naturally comply with the German Drinking Water Ordinance and the corresponding German and European standards.

10 years  
manufacturer's  
warranty (apart from  
wearing parts)

Factory customer  
service in Germany  
and Austria

Factory  
customer service  
**SERVIZIO**  
+49 (0)5407 8152 911  
[servizio@naber.com](mailto:servizio@naber.com)  
[www.naber.com](http://www.naber.com)

## Exceptional quality



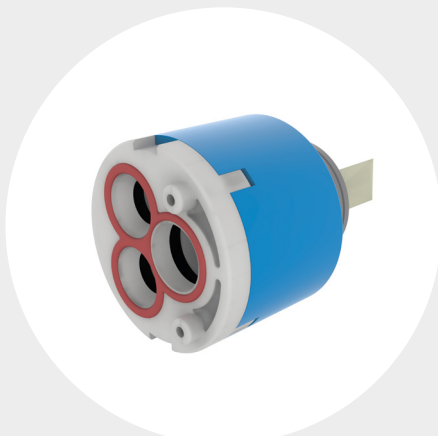
### Solid brass

The faucet body is made of solid brass. It is precisely manufactured from the best material. The flow and tightness of the brass body are tested for lasting durability using the latest automated quality tests. The 500 mm long connection hoses are already installed. Each fitting is equipped with a stabilising plate.



### Surface finish

The shimmering chrome, stainless steel or black surfaces of the high-quality faucet bodies are processed using the most contemporary methods. They make the **ARMATE® SERVIZIO** faucets a long-lasting, confidently stylish companion in every discerningly equipped kitchen.



### Quality cartridge

The core of the **ARMATE® SERVIZIO** faucets is the precisely functioning quality cartridges. High-quality ceramic sealing discs ensure particularly smooth and precise mixing of cold and hot water. All cartridges are equipped with scald protection. The flow and tightness of the cartridges are "put through their paces" during production.





Naber GmbH  
Development · Production · Distribution

Enschedestraße 24  
48529 Nordhorn  
Germany

Phone +49 5921 704-0  
Fax +49 5921 704-140

naber@naber.com  
www.naber.com

03/2021 EN

## Naber – The original

Naber is a medium-sized family business with its headquarters in Nordhorn. Kitchen professionals find solutions for practically every planning and installation situation at Naber. The in-house development department regularly produces products that are ground-breaking in terms of both technology and design, making kitchens all over the world that little bit better, more convenient and efficient.